

**WO!**skimmer

**NQ-50**

INSTALLATION GUIDE

Thank you for purchasing our new WO!skimmer that provides optimum performance with maximum safety and reliability.

<b>Model</b>	<b>NQ-50</b>	<b>NQ-60</b>	<b>NQ-80</b>
<b>Size (mm)</b>	<b>100*65*280</b>	<b>120*85*330</b>	<b>180*90*420</b>
<b>Reaction Chamber</b>	<b>40mm</b>	<b>60mm</b>	<b>80mm</b>
<b>Outlet</b>	<b>16mm</b>	<b>20mm</b>	<b>25mm</b>
<b>Max.Flow Rate</b>	<b>500L/H</b>	<b>730L/H</b>	<b>1100L/H</b>
<b>Max.Air Intake</b>	<b>100L/H</b>	<b>150L/H</b>	<b>250L/H</b>
<b>Max.Tank Size</b>	<b>90L</b>	<b>120L</b>	<b>200L</b>
<b>Place for Installation</b>	<b>Interior/sump</b>	<b>Interior/sump</b>	<b>Interior/sump</b>
<b>Pump</b>	<b>6W</b>	<b>9W</b>	<b>15W</b>

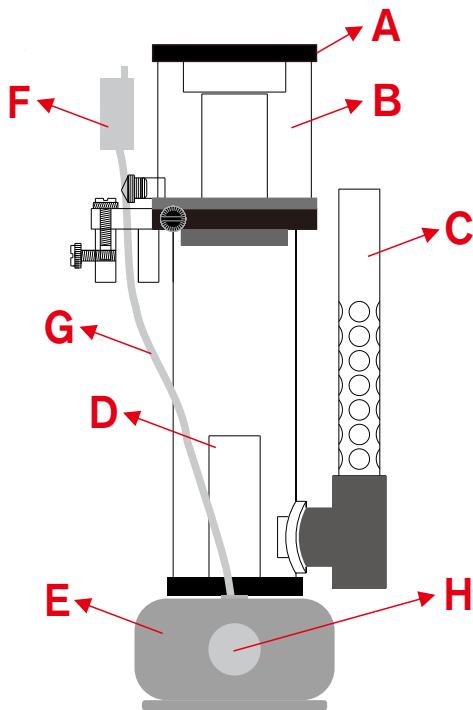
## Importance

Prior to the installation, please read the manual and the following proper operation instruction carefully:

- Assemble parts and components according to the illustration.
- Do not move the skimmer when it is working, otherwise it will cause permanent damage.
- It would not be better let the skimmer work in the water temperature above 35 degrees or below freezing point, otherwise it will cause some damage.
- When the skimmer is working, make sure voltage and frequency in accordance with the specified instruction.

## Part Names

- A.** Lid for collection cup
- B.** Collection cup
- C.** Rotation Type Water Level Adjustor
- D.** Diversion Box
- E.** Water Pump
- F.** Noise Silencer
- G.** Air Intake Tube
- H.** Air Filling Part



## Maintenance

- Collection cup needs to clean regularly to remove precipitation and impurities.
- Reaction Chamber do not need to clean, unless there is some impurity stick to the wall.
- If the device can not work normally, please check the following details:
  - A.** Check whether socket and plug is well connected or there is power supply.
  - B.** Check if there is any impurity blocking noise silencer, air intake tube or air filling part when there is less or no bubbles while working.
  - C.** Since rotor or impeller maybe blocked and damage by sands or impurities, the water pump installation should be carried out in no sands and impurities.



**WOTEW AQUARIUM SUPPLIES**  
**E-mail: [info@wotewo.com](mailto:info@wotewo.com)**  
**[Http://www.wotewo.com](http://www.wotewo.com)**